

OTDR Launch Cable Box Series



Key Features

Fiber length between 10 and 1,500 m

Selection of connectors

Rugged and compact case

Custom build available

Overview

The **PhotonCom OTDR Launch Cable Box** is most commonly used to eliminate the uncertainty of the measurement after the “dead zone” at the beginning of a fiber when using an OTDR. Its compact ruggedized design is customized to your preference. This makes it the perfect companion for field applications.

Applications

Use as OTDR launch/receive cable

Test link loss with an OTDR

Measure insertion loss and reflectance of near/far end connector

Pulse suppressor for the first reflection at the beginning of a fiber

OTDR Launch Cable Box Series

Optical Specifications

Typical attenuation range:

Single mode fiber 9/125 μm < 0.35 dB/km @ 1310 nm
 < 0.25 dB/km @ 1550 nm

Connector insertion loss < 0.5 dB

Connector reflectance
 UPC < -50 dB
 APC < -60 dB

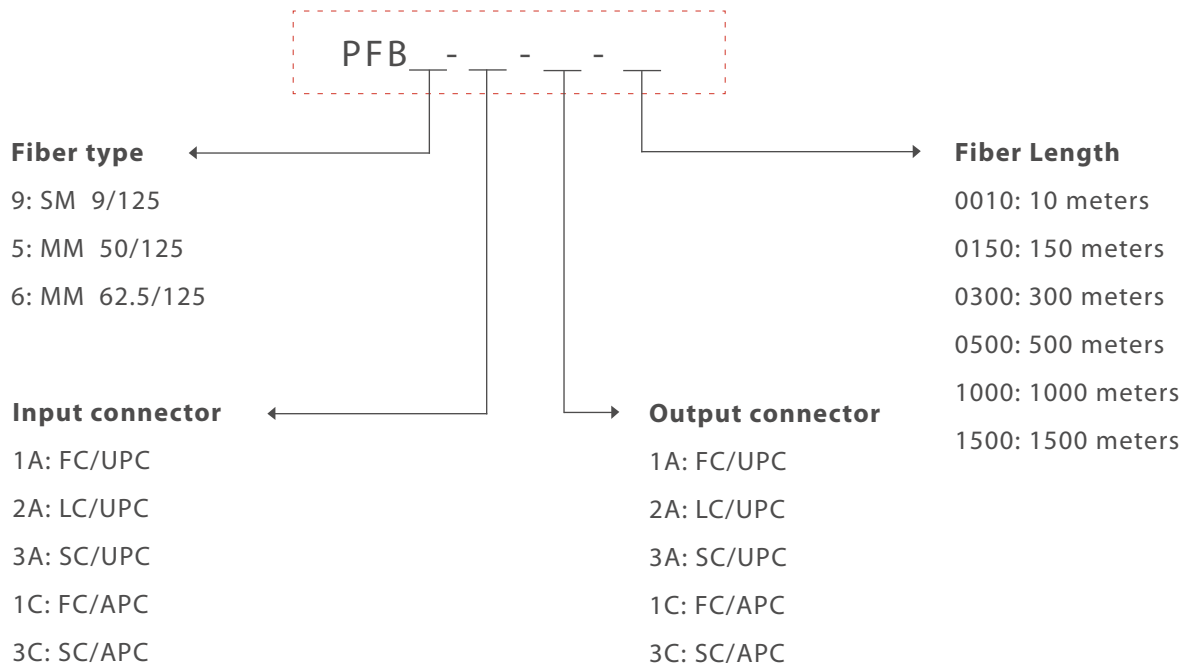
External cable length 2 x 1.5 m (2 x 5 ft)

Size 21.5 cm x 20 cm x 9.5 cm (8^{1/2} in x 7^{13/16} in x 3^{5/8} in)

Weight < 0.7 kg (< 1.6 lb)

> Product specifications and descriptions provided in this document are subject to change without notice.

Ordering Information



> Example: PFB9-1A-1C-0300

> Custom build available upon request.